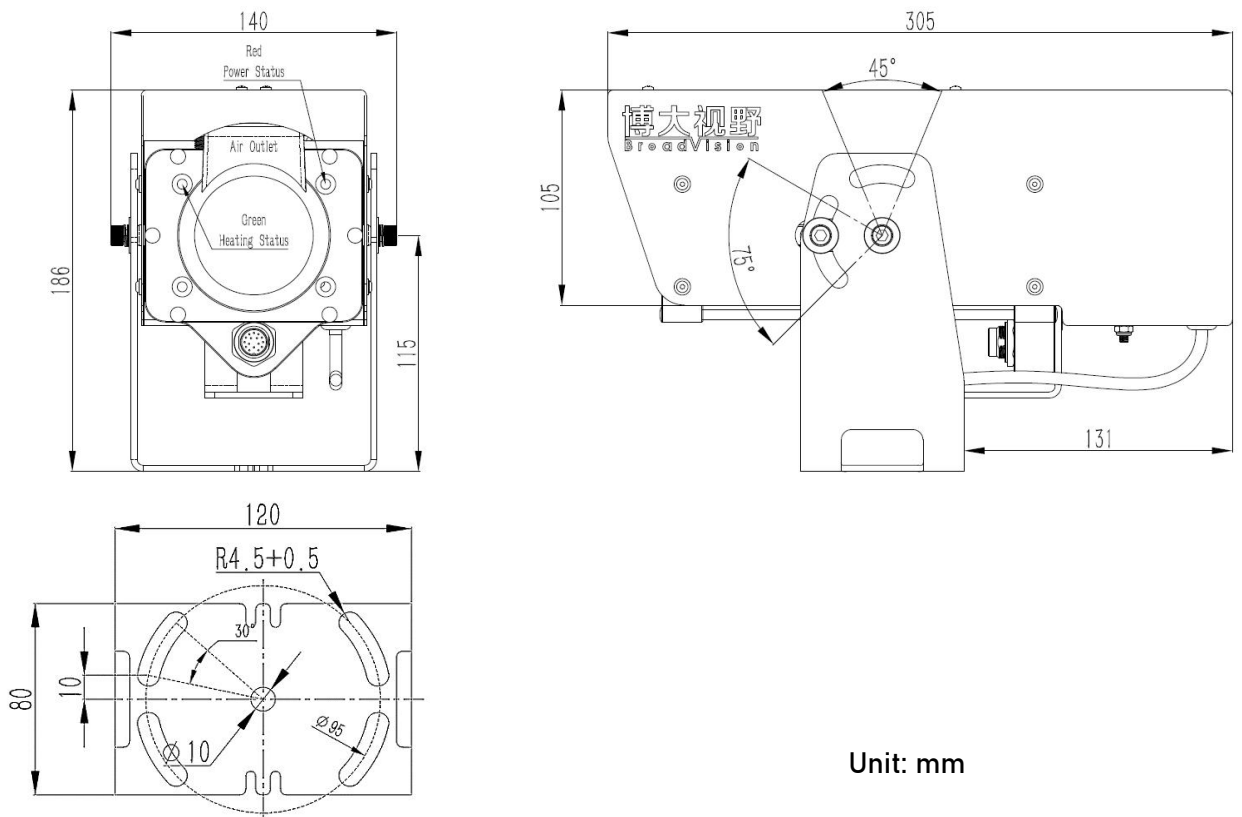




- Anti-Shock
- Anti-Corrosion
- Low Latency
- Self-Cleaning
- High Speed Airflow

Product Data



TECHNICAL DATA

Camera AFZ-HD-F (SC)

Camera

Sensor	1/1.8" Progressive Scan CMOS
Resolution	Max: 2688×1520 (60Hz, 30fps)
Focus	7.1mm to 213mm
Zoom	30X optical zoom, 16X digital zoom
Aperture	F1.61 - F5.19
Angle of view	H: 57.62° to 3.92°
M.O.D	100mm to 1500mm
Min.illumination	ICR-Off: 0.0001Lx; ICR-On: 0.00005Lx
Shutter speed	1/25 to 1/100000s
S/N ration	52dB
Wide Dynamic	120dB
Standards	H.265, H.264
Latency	170ms (1920×1080, 30fps)
Zoom speed	≈ 4s

General

Protocols	TCP/IP, ICMP, HTTP, HTTPS, FTP, DHCP, DNS, RTP, RTSP, RTCP, NTP, SMTP, SNMP, IPv6 IONVIF(PROFILE S, PROFILE G), GB28181
Control	RS485, UART, I/O
Anti-Shake	Gyro - stabilized anti - shake

Electrical

Input Voltage	12~24V DC, 48V PoE
Power Rating	Heating on: 13W & Heating off: 8W
Input of Fan	24V (Extra Power Supply)
Power of Fan	30W(55,000rpm); 100W(84,000rpm)
Communication	100M Ethernet
Aviation Joint	J09-P16-MC220
Cable	J09-P16-FC015, 1.5m, Open wired
Safety measure	Lightning/Overvoltage/Reverse Protection

Electrical Connections

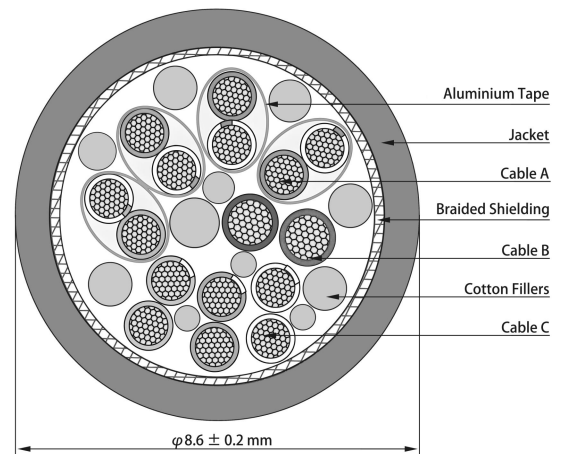
1_Orange/White	Ethernet TX+	9_Yellow/White	RS 485A+
2_Orange	Ethernet TX-	10_Yellow	RS 485B-
3_Green/White	Ethernet RX+	11_Pink/White	COM 1
4_Green	Ethernet RX-	12_Pink	COM 2
5_Blue/White	NC.	13_Purple/White	UART_T
6_Blue	NC.	14_Purple	UART_R
7_Brown/White	NC.	15_Red	DC+ 12/24V
8_Brown	NC.	16_Black	DC-

Mechanical

Structural	304/316 Stainless steel mounting parts & sun cover, anodized aluminium housing, CNC integrated molding
Anti-Corrosion	Salt mist, cyclic (IEC 60068-2-52)
IP Grade	IP68 (IEC60529) dustproof & waterproof (dip in water up to 3m for 60 minutes) IP69K (DIN 40050-9) suffer high pressure washing (14-16L/min, 80°C, 100 bar)
Inner Fill	Dry-nitrogen filled, 1.4 Bar overpressure
Anti-Shock	50G, 6ms, Half sine wave
Bracket	304/316 stainless steel, including bolts, nuts and washers. Suitable for mounting overhead and standing.
Working Temp.	-40°C to +60°C
Glass	Vacuum nano-coated glass, 5* stronger than ordinary glass. With Anti-fog coating AF coating & AR coating (up to 95% VLT)
Weight	4.2kg

Cable

Jacket	PUR, matte black
Outer diameter	8.6±0.2mm
Filler material	Cotton
Shield	Tin plated copper
Conductor	Oxygen-free copper wire
CO.resistance	35 Ohm/KM (20°C)
IN.resistance	0.15 MOhm/KM (20°C)
Voltage level	300V/500V
Rated Temp.	-40~90°C
Standards	DRGB/2016



All data subject to change without notice. All dimensions are for commercial purpose only.
The camera from BroadVision comply with the latest CE, FCC, EMC and mirror-directive regulations, where applicable.
All products are manufactured in accordance with the ISO 9001 quality management system, ISO 14001 environmental management systems and ISO 45001 occupation health safety management system, where applicable.